



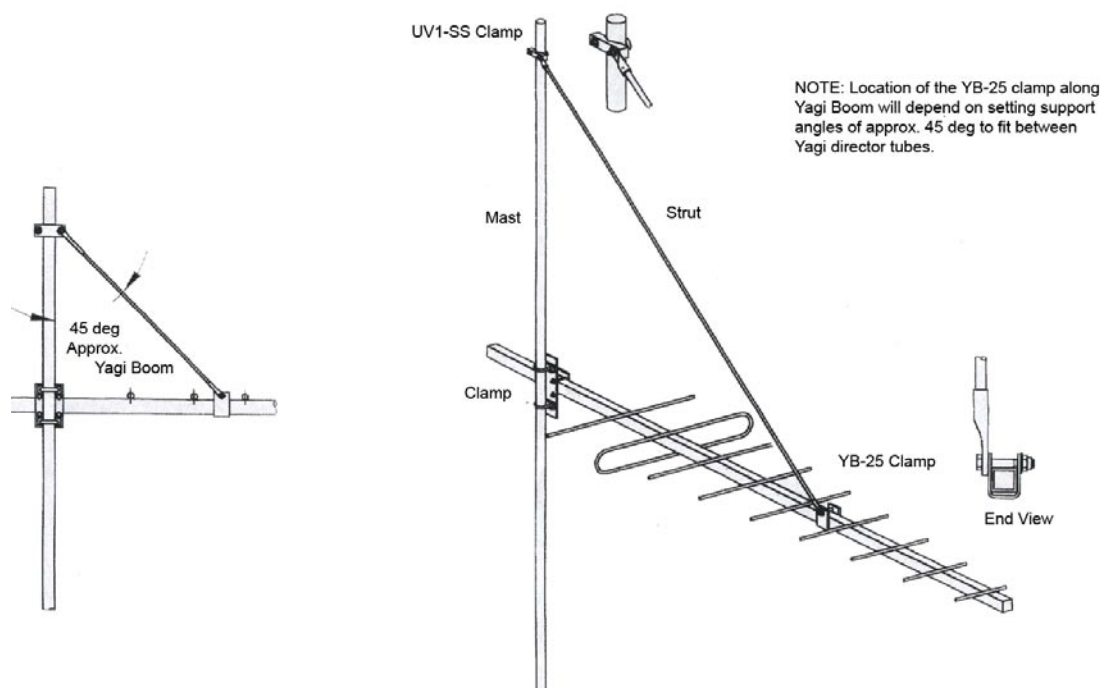
TRIO

DATA COM

Technical Note - TN-64

Subject: Antenna Strut Installation

Description: Assembly instructions all 'Y' series Yagi's



Assembly Instruction

1. Position U-Bolt on the Yagi to allow struts to leave boom at nominal 45 deg (Ref Fig 1), then attach all struts to U-Bolt (Ref. View C).
2. Attach dual tension rods to horizontal mounting tube using U-Bolt assemblies (Ref. Detail 'D')

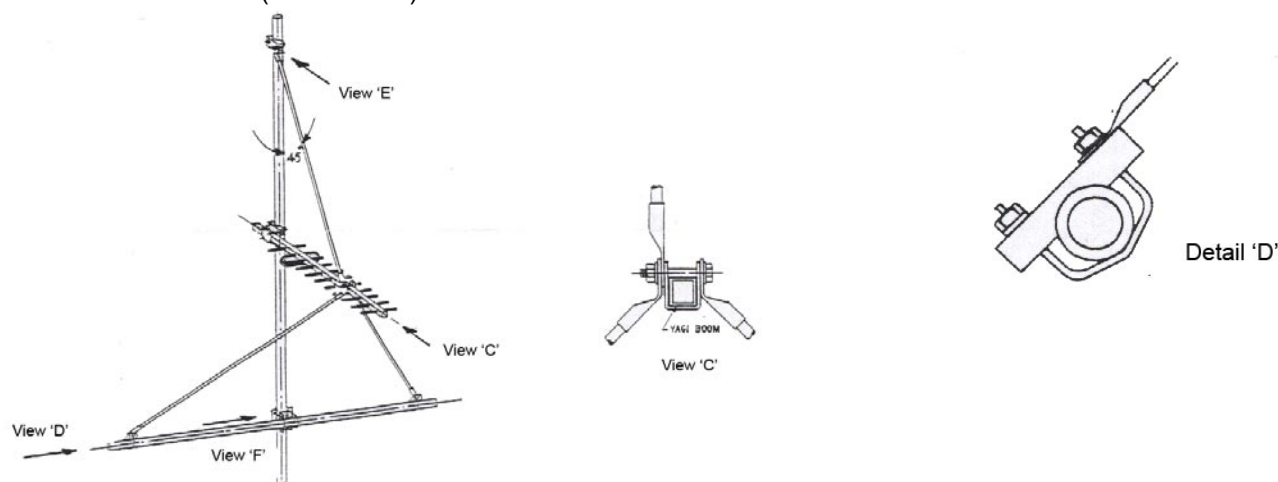
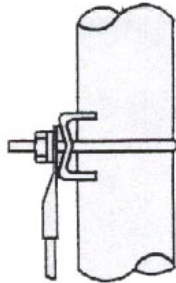


Fig 1

Technical Note - TN-64

Antenna Strut Installation

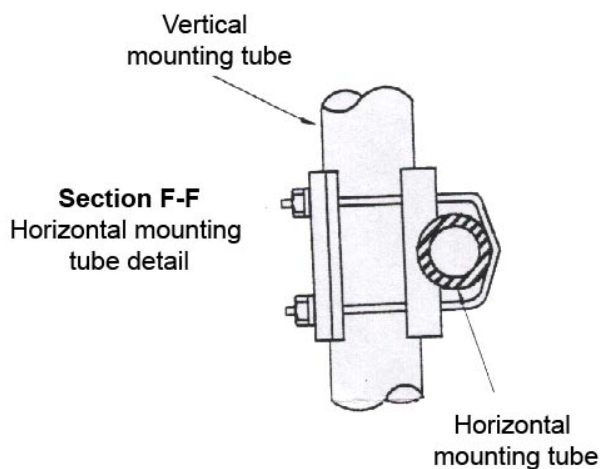
- Lift Yagi assembly to required position and fix to Vertical mounting tube.
- Attach single tension rod to vertical mounting tube using remaining U-Bolt assembly (Ref. View 'E').



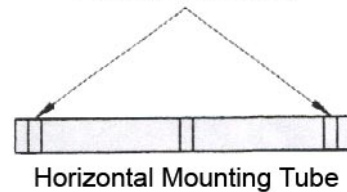
View 'E'

Tension Rod Clamp
for 48.3 mm Pole

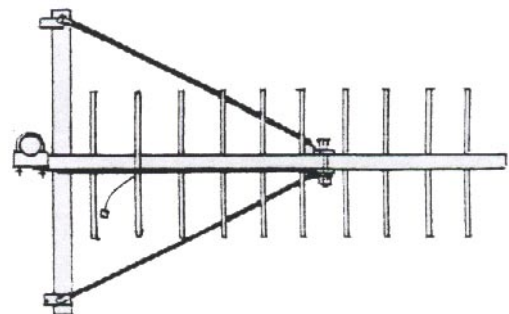
- Fix horizontal mounting tube to the vertical mounting pole using UB2 mounting hardware (Ref. Section F-F)



Place U-Bolts here



- Adjust tension in upper and lower tension rods then ensure all hardware is tightened.



designs products & *solutions*

Information subject to change without notice.
© Copyright 2005 Trio DataCom Pty Ltd. All rights reserved. Issue 08/05

TRIO DATACOM
41 Aster Avenue
Carrum Downs VIC
Australia 3201

T +613 9775 0505
F +613 9775 0606
E frontdesk@trio.com.au
www.trio.com.au

