



Technical Note - TN-57



Subject:

E Series Firmware Updates

Description:

- Radio/Base Station Firmware Update
- Base Station Display Firmware Update
- Hot Standby Firmware Updates

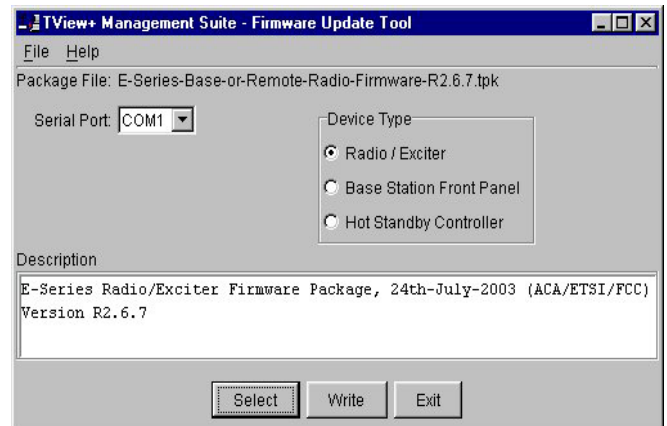
Radio or Base Station Exciter Firmware Update

Firmware update is performed on a unit connected locally to the PC. It is recommended that all cabling to the unit be disconnected prior to commencing firmware update to minimise any interruption to the process or disturbances of signals on cables still connected. All other TView+ Management Suite utilities should also be exited during the firmware update process. The steps to update the firmware are as follows:

1. Start the firmware update utility from the TView+ front panel.
2. Disconnect power from the unit by turning off the power supply or removing the power connector to the unit.
3. Connect the serial cable from the PC to Port B on the unit.
4. Select the unit type from the options on the top right of the firmware update main window. Please note that "Exciter" refers to the radio contained inside the base station.

Note: Firmware update to base station exciter will result in fatal error display and fan on whilst in this mode.

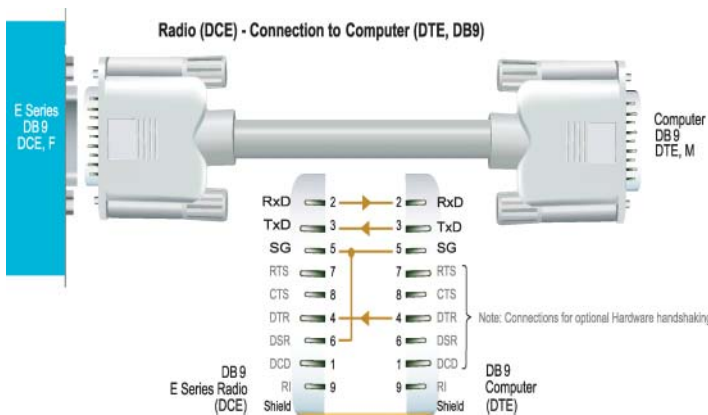
5. Select the file containing the firmware update package using the "Select" button at the bottom of the main window. After opening the file the browse window will close and a description of the firmware package will appear in the main window.



6. Initiate the firmware updating process using the "Write" button at the bottom of the main window. Another logging window will appear.
7. Reconnect power to the unit when prompted in the logging window. The status LEDs on the unit including power should all be extinguished and the transfer of firmware should commence. If this does not occur steps 6 & 7 should be repeated.

Note: Remote radio status LEDs including power will all be off.

8. The logging window will display the progress of each firmware block transferred and when complete a success dialogue box appears. Type OK to close this dialogue box and type "Exit" in the main window to exit the firmware update utility.
9. Disconnect the cable from Port B and re power the unit to enable the new firmware.



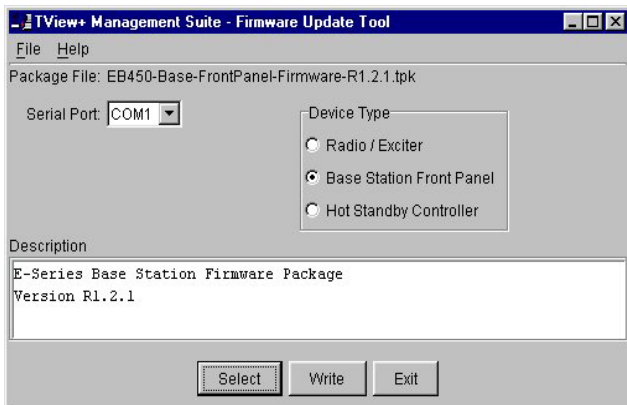
Technical Note

E Series Firmware Updates (TN-57)

Base Station Display Firmware Update

Installation Instructions:

1. Update of the front panel firmware uses the firmware update utility supplied with the TView+ Management Suite.
2. Start the firmware update utility from the TView+ front panel.
3. In the firmware update utility select device type as "Base Station Front Panel"
4. Select the file containing the firmware update package using the "select" button at the bottom of the main window. After opening



the file the browse window will close and a description of the firmware package will appear in the main window.

5. Ensure that the base station is powered.
6. Connect the "TView+ cable" to the front or rear system port of the base station.
7. On the base station front panel depress and hold the "Display On/Off" button, then momentarily depress the firmware update switch using a suitable probe before releasing the "Display On/Off" button. The firmware update switch is located behind the small hole (not labelled) in the front panel below the "Display On/Off" button.

Note: Display Status LEDs will be lit in this Mode.

8. Initiate the firmware update process using the "Write" button at the bottom of the main window. Another logging window will appear.
9. The logging window will display the progress of each firmware block transferred and when complete a success dialogue box appears. Click OK to close this dialogue box and click "Exit" in the main window to exit the firmware update utility.

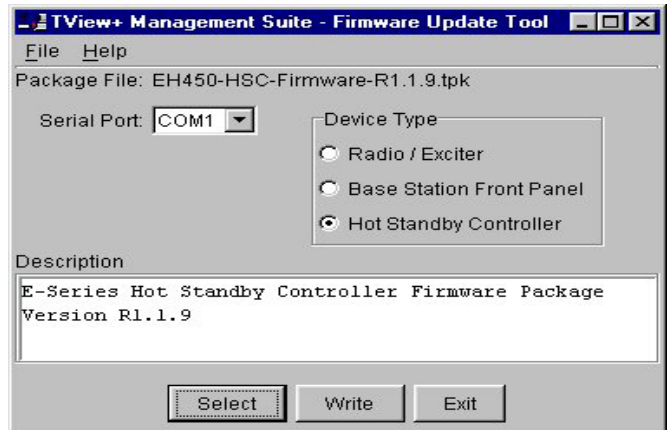
Note: If a mismatch occurs between selected file and device type, an error message will appear.

10. Repower the base station to enable the new firmware.

Hot Standby Controller Firmware Update

Installation Instructions:

1. Update of the hot standby firmware uses the firmware update utility supplied with the TView+ Management Suite.
2. Start the firmware update utility from the TView+ front panel.
3. In the firmware update utility select device type as "Hot Standby Controller".
4. Select the file containing the firmware update package using the "select" button at the bottom of the main window. After opening the file the browse window will close and a description of the firmware package will appear in the main window.



5. Ensure that the hot standby controller is powered.
6. Connect the "TView+ cable" to the front or rear system port of the hot standby controller.
7. On the hot standby controller front panel depress and hold the "Reset Alarms" button, then momentarily depress the firmware update switch using a suitable probe before releasing the "Display On/Off" button. The firmware update switch is located behind the small hole (not labelled) in the front panel to left of "Reset Alarm" button.

Note: The two LEDs either side of the "Select" switch will be lit green in this mode.

8. Initiate the firmware update process using the "Write" button at the bottom of the main window. Another logging window will appear.
9. The logging window will display the progress of each firmware block transferred and when complete a success dialogue box appears. Click OK to close this dialogue box and click "Exit" in the main window to exit the firmware update utility.

Note: If a mismatch occurs between selected file and device type, an error message will appear.

10. Repower the hot standby controller to enable the new firmware.

designs products & solutions

Information subject to change without notice.
© Copyright 2002 Trio DataCom Pty Ltd. All rights reserved. Issue 07/03

TRIO DATACOM
41 Aster Avenue
Carrum Downs VIC
Australia 3201

T +613 9775 0505
F +613 9775 0606
E frontdesk@trio.com.au
www.trio.com.au

